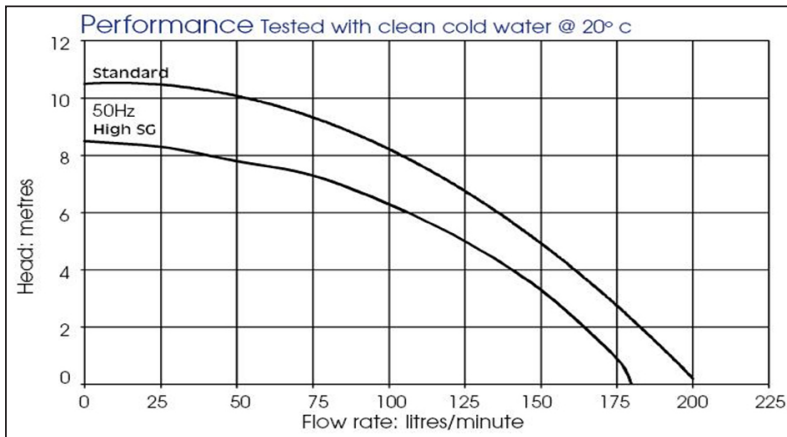


PERFORMANCE



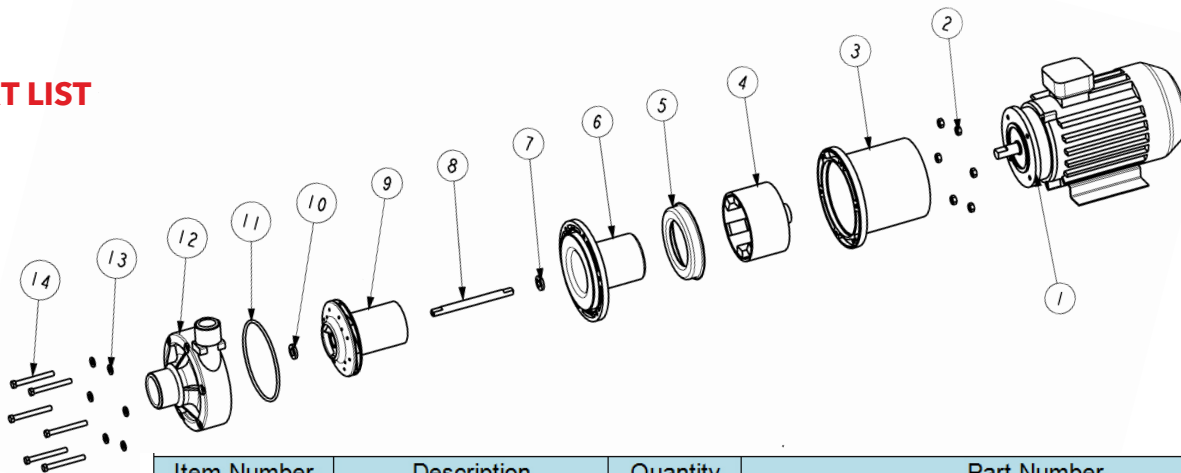
NOTE: These magnetically coupled pumps are designed for use with clean fluids.

Solids will cause jamming. Abrasives will reduce pump life and invalidate the warranty.

NEMP pumps are not self priming and are not designed to run dry.

The company reserves the right to change specifications.

PART LIST



Item Number	Description	Quantity	Part Number		
1	Motor	1	008831 (110V 1Ph 60Hz)		
			008825 (230V 1Ph 50Hz)		
			No longer available (400V 3Ph 50Hz)		
			No longer available (400V 3Ph 60Hz)		
2	Nut	6	032105		
3	Adaptor	1	018381		
4	Drive Magnet	1	008646		
5	Support Plate	1	008352		
6	Spindle Housing	1	018317 (PPS)	008355 (PVDF)	008354 (PP)
7	D Washer	1	008298		
8	Spindle	1	008351		
9	Impeller	1	038601 (PP 50Hz)	018671 (PP 60Hz)	018627 (PP High SG)
			018644 (PVDF 50Hz)	018672 (PVDF 60Hz)	018672 (PVDF High SG)
10	D Washer	1	008298		
11	O Ring	1	008277 (EPDM)	008235 (Viton)	
12	Pump Body	1	018380 (PP)	008359 (PVDF)	
13	Nut	1	001568		
14	Screw	6	001792		



www.ameyplastics.co.uk

T: 01730 266525
E: sales@ameyplasticsltd.co.uk

Amey Plastics, Unit 6 Amey Industrial Estate, Frenchmans Road
Petersfield, Hampshire, GU32 3AN

Warranty: All products of the company are sold, and all services of the company are offered subject to the company's warranty and terms of sale, copies of which will be furnished upon request. Details correct at time of printing. We reserve the right to change specifications without prior notice.