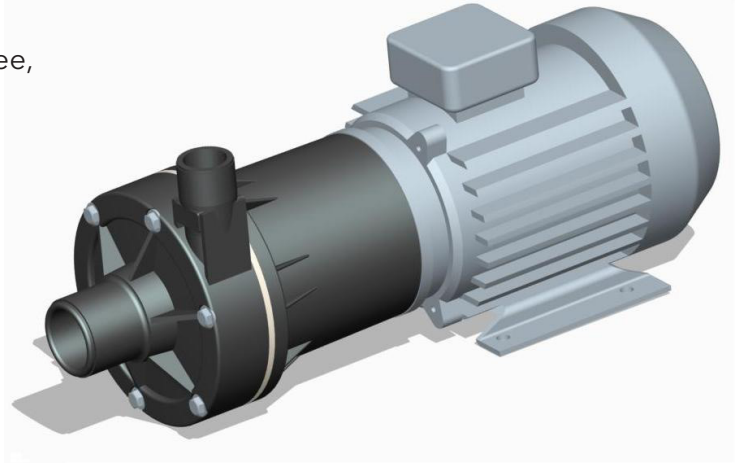


PRINCIPAL APPLICATIONS

For heavy duty applications requiring safe, leak-free, continuous flow of aggressive chemicals, acids, solvents, alkalis, sterile and chilled fluids.

WETTED MATERIALS

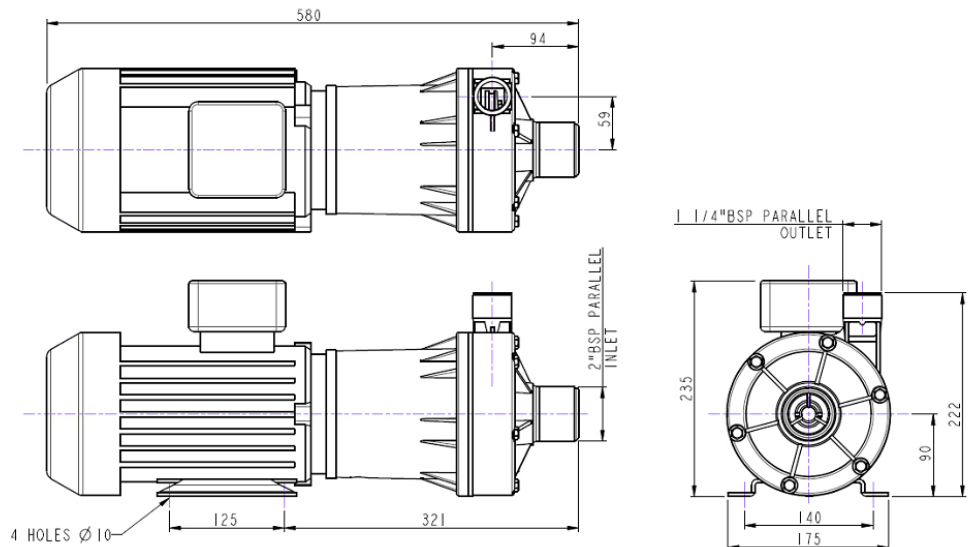
- Standard EPDM O Ring, Viton optional
- PP encapsulated magnet, PVDF optional
- PP pump housing, PVDF optional
- PPS spindle housing, PVDF and PP optional
- Alumina ceramic spindle & thrust washers



FEATURES

- Manufactured in chemical resistant thermo-plastics - entirely non-metallic
- Magnetic couplings provide an energy efficient thermal shield, minimising heat transfer to the pumped fluid
- IP55 standard motor housing
- High SG versions available

3PH IEC MOTOR REQUIRED
3.0KW 230-400/3/50 B3 FOOT
B14 C FACE



DIMENSIONS

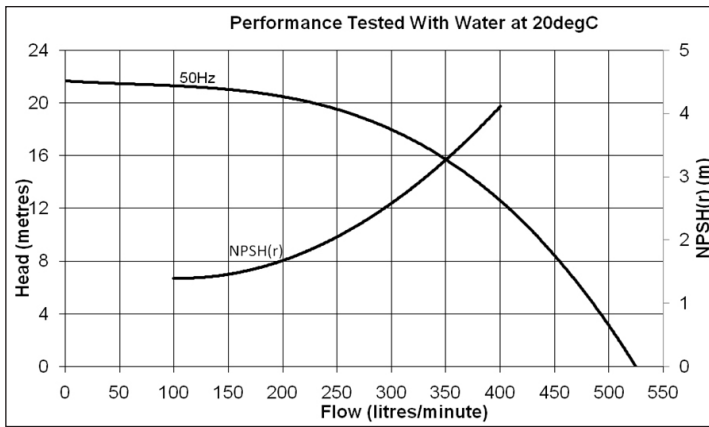
Drawings not to scale
Dimensions in millimetres

SPECIFICATION

| Model | Overall height (mm) | Overall length (mm) | Overall width (mm) | Weight (kg) | Max body pressure (bar) | Run-out flow rate (l/min) | Closed valve head (m) | Temp range (degC) | *Max specific gravity | Motor output (kW) |
|------------|---------------------|---------------------|--------------------|-------------|-------------------------|---------------------------|-----------------------|-------------------|-----------------------|------------------------|
| NEMP500/20 | 235 | 580 | 175 | 20.6 | 3.0 | 525 | 21.7 | -20 to +85 | 1.2 | 2.2 STD 3.0 High SG |

*Assuming maximum viscosity of 30cp.

PERFORMANCE



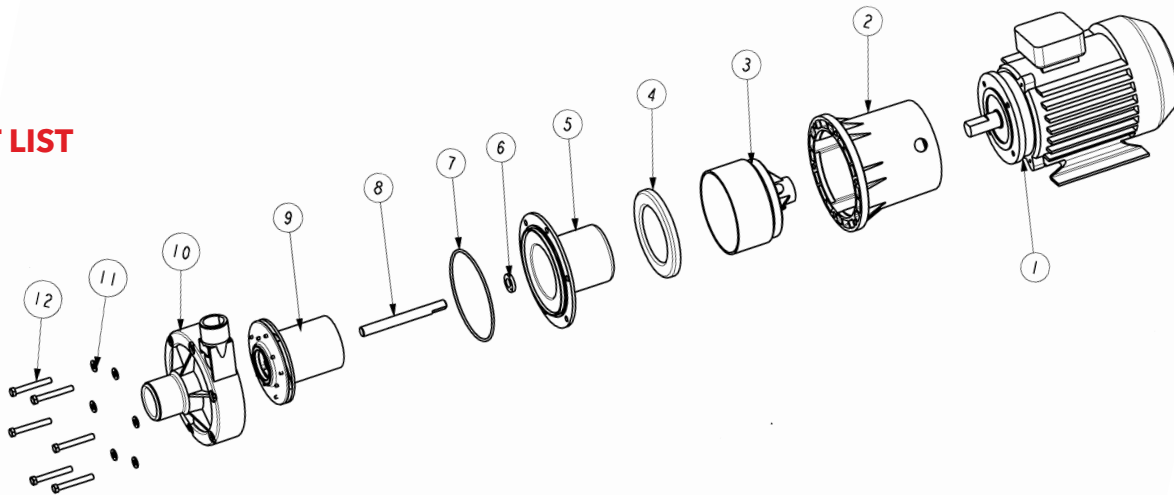
NOTE: These magnetically coupled pumps are designed for use with clean fluids.

Solids will cause jamming. Abrasives will reduce pump life and invalidate the warranty.

NEMP pumps are not self priming and are not designed to run dry.

The company reserves the right to change specifications.

PART LIST



| Item Number | Description | Quantity | Part Number | | |
|-------------|-------------------------|----------|------------------------------|-------------------------------------|---|
| 1 | Motor | 1 | 008870 (110V 1Ph 50Hz) | No longer available (400V 3Ph 50Hz) | No longer available (400V 3Ph 50Hz High SG) |
| 2 | Mounting Bracket | 1 | 018376 | | |
| 3 | Drive Magnet | 1 | 008677 (std) | 018699 (High SG) | |
| 4 | Spindle Housing Support | 1 | 008324 | | |
| 5 | Spindle Housing | 1 | 018319 (PPS) | 008335 (PVDF) | 028300 (PP) |
| 6 | D Washer | 1 | 008330 | | |
| 7 | O Ring | 1 | 008278 (EPDM) | 008254 (Viton) | |
| 8 | Spindle | 1 | 008329 | | |
| 9 | Impeller | 1 | 028695 (PP 50Hz and High SG) | 018307 (PP 60Hz) | 018698 (PVDF 50Hz and High SG) / 018308 (PVDF 60Hz) |
| 10 | Pump Body | 1 | 018375 (PP) | 008371 (PVDF) | |
| 11 | Washer | 6 | 001575 | | |
| 12 | Bolt | 6 | 031109 | | |



www.ameyplastics.co.uk

T: 01730 266525
E: sales@ameyplasticsltd.co.uk

Amey Plastics, Unit 6 Amey Industrial Estate, Frenchmans Road
Petersfield, Hampshire, GU32 3AN

Warranty: All products of the company are sold, and all services of the company are offered subject to the company's warranty and terms of sale, copies of which will be furnished upon request. Details correct at time of printing. We reserve the right to change specifications without prior notice.